

# ZMevoLution®

Substance

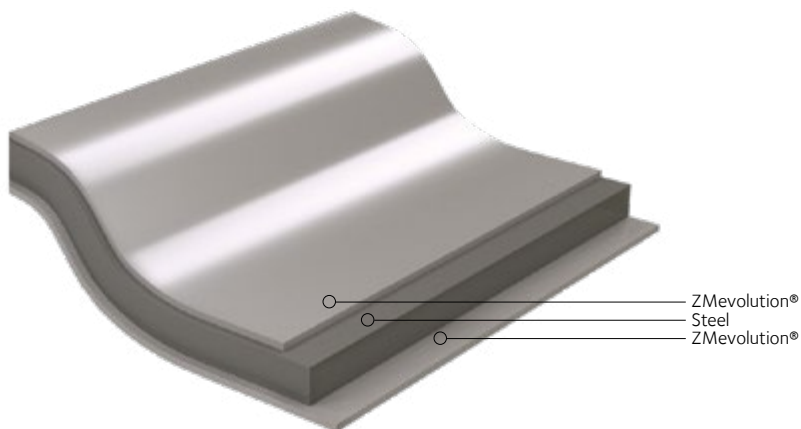
*New generation,  
galvanised metallic coating*

## Applicable standards

EN 10346: 2015  
CSTB: ETPM ZMevoLution®  
Zulassung Z-30.11-61

## Type of coating

Metallic coating based on zinc aluminium magnesium alloy defined by "ZM" according to EN 10346: 2015



## Appearance and applications

Homogeneous, grey, spangle-free aspect  
Very low waviness allowing for nice aspect  
The color of the coating can vary from one batch to another



Cladding and roofing



Structural decking



Trays



Partitions

## Incompatibilities

Copper, lead, non protected steel, plaster, wood acids, oak and chesnut.

Brasing with tin-lead alloy is not suitable.

## Selection guide

### Outdoor

Passivated metallic coating	Rural non polluted	Urban and industrial		Marine				Special	
		Normal	Severe	20 to 10 km	10 to 3 km	Coast (< 3 km)	Mixed	High U.V.	Special
ZM175	A	B	C	B	C	C	C	A	C
ZM275	A	A	B	A	B	B	B	A	B

### Indoor

Passivated metallic coating	Not aggressive				Aggressive
	Low humidity	Medium humidity	High humidity	Very high humidity	
ZM80	A	C	C	C	C
ZM120	A	A	B	C	C
ZM175	A	A	B	B	B
ZM275	A	A	A	B	B

**A** : the product is suitable

**B** : as per survey

**C** : the product is not suitable